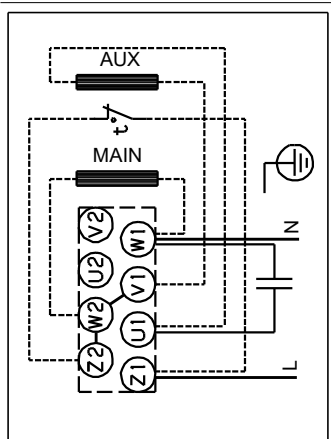
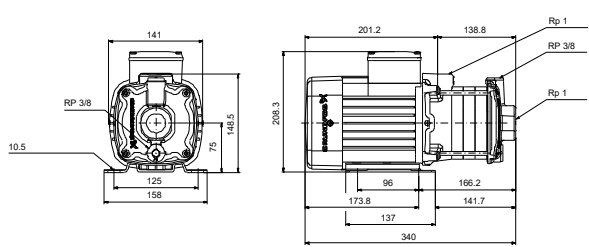
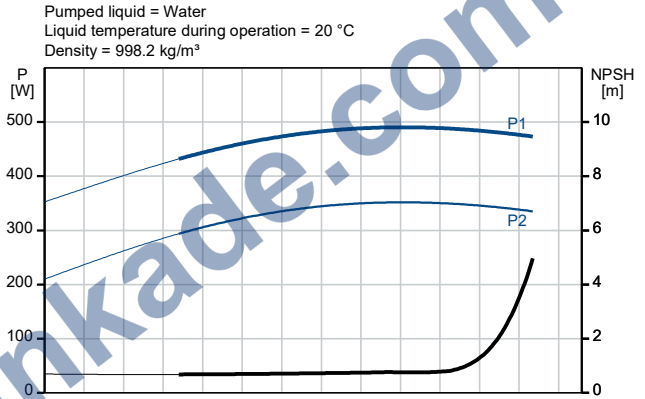
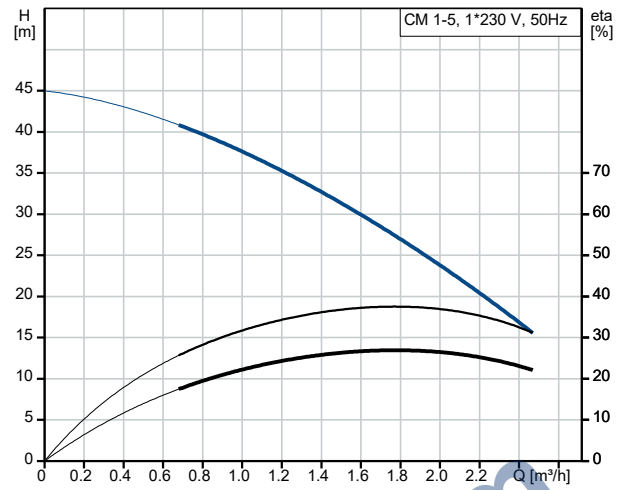


| Description | Value |
|--|---------------------------------|
| General information: | |
| Product name: | CM 1-5 A-R-A-E-AQQE C1-A-A-N |
| Product No: | On request |
| EAN number: | On request |
| Technical: | |
| Pump speed on which pump data are based: | 2900 rpm |
| Rated flow: | 1.7 m ³ /h |
| Rated head: | 30.92 m |
| Impellers: | 5 |
| Code for shaft seal: | AQQE |
| Approvals: | CE,EAC,UKCA |
| Approvals for drinking water: | WRAS,ACS,NSF61 |
| Curve tolerance: | ISO9906:2012 3B |
| Pump version: | A |
| Model: | A |
| Materials: | |
| Pump housing: | Cast iron |
| Pump housing: | EN-GJL-200 |
| Pump housing: | ASTM A48-25A |
| Impeller: | Stainless steel |
| Impeller: | EN 1.4301 |
| Impeller: | AISI 304 |
| Material code: | A |
| Code for rubber: | E |
| Installation: | |
| Range of ambient temperature: | -20 .. 55 °C |
| Maximum operating pressure: | 10 bar |
| Max pressure at stated temp: | 10 bar / 90 °C |
| Max pressure at stated temp: | 10 bar / 90 °C |
| Type of connection: | Rp |
| Size of inlet connection: | 1 inch |
| Size of outlet connection: | 1 inch |
| Outlet position: | 12 |
| Connect code: | R |
| Liquid: | |
| Pumped liquid: | Water |
| Liquid temperature range: | -20 .. 90 °C |
| Selected liquid temperature: | 20 °C |
| Density: | 998.2 kg/m ³ |
| Kinematic viscosity: | 1 mm ² /s |
| Electrical data: | |
| Motor standard: | IEC |
| Frame size: | 71B |
| IE efficiency class: | IE2 |
| Rated power - P2: | 0.5 kW |
| Mains frequency: | 50 Hz |
| Suitable for 50/60 Hz: | N |
| Rated voltage: | 1 x 220-230 V V |
| Service factor: | 1.00 |
| Rated current: | 3.30-3.15 A |
| Starting current: | 340-370 % |
| Rated speed: | 2750-2780 rpm |
| Enclosure class (IEC 34-5): | IP55 |
| Insulation class (IEC 85): | F |
| Built-in motor protection: | PTO |
| Cable included (Yes/No): | N |



| Description | Value |
|--|---------|
| Controls: | |
| Frequency converter: | NONE |
| Others: | |
| Terminal box position: | 12 |
| Minimum efficiency index, MEI \geq : | 0.7 |
| Net weight: | 12.5 kg |
| Gross weight: | 15 kg |

www.samankade.com